

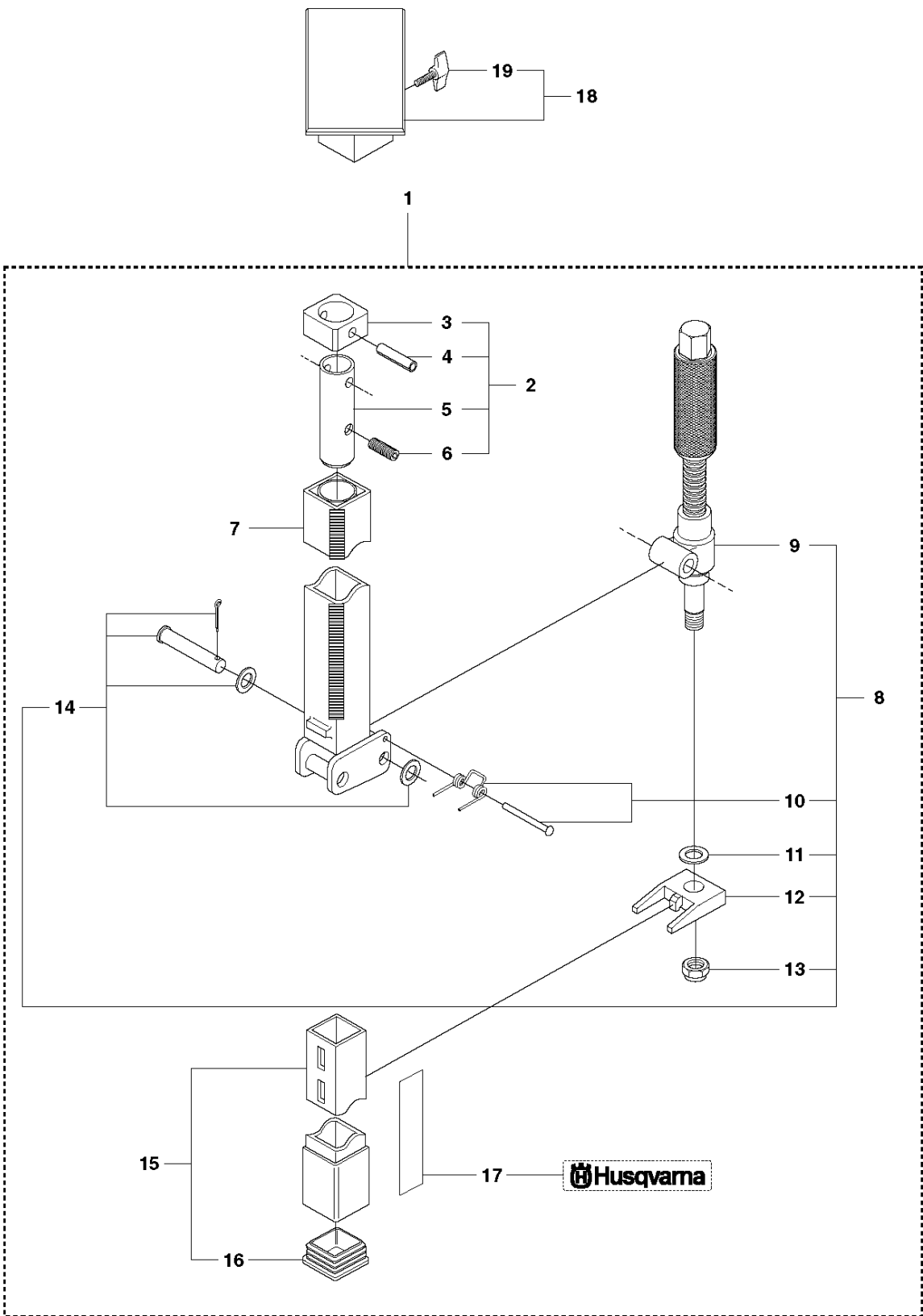


SPARE PARTS LIST

DRILLING EQUIPMENT

DS50 Gyro, 2007-02

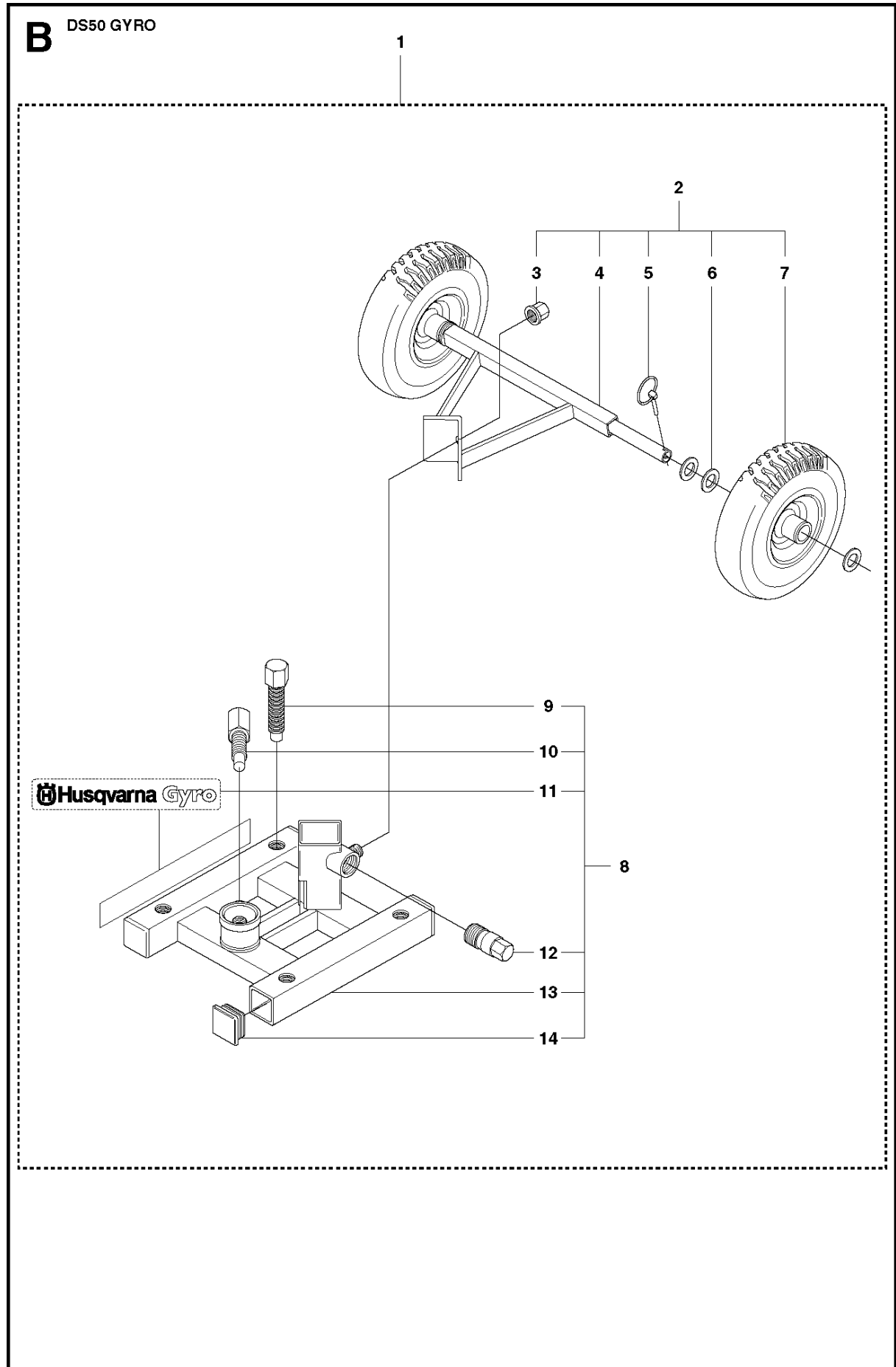
A DS50 GYRO



EXPANDABLE COLLUMN

DS50 Gyro, 2007-02

Ref	Part No	Description	Remark	QTY KIT
1	506 40 83-05	PIPE	Incl. 2, 7, 8, 15, 17	1
2	506 40 82-01	SLEEVE	Incl. 3-6	1
3	531 14 07-53	STOP SLEEVE		1
4	531 14 06-05	PEN		1
5	531 14 06-06	PEN		1
6	531 14 06-07	STOP SCREW		1
7	506 40 04-01	PIPE		1
8	506 40 81-05	ADJUSTER	Incl. 9-14	1
9	506 40 81-07	ADJUSTER		1
10	506 40 14-02	BOLT		1
11	531 14 06-13	WASHER		1
12	531 14 06-16	FORK		1
13	531 14 06-14	NUT		1
14	506 40 14-01	BOLT		1
15	506 40 05-01	PIPE	Incl. 16	1
16	531 14 06-20	PLUG		1
17	504 02 10-02	DECAL		1
18	506 40 84-06	PLATE	Incl. 19	1
19	531 14 06-02	SCREW		1

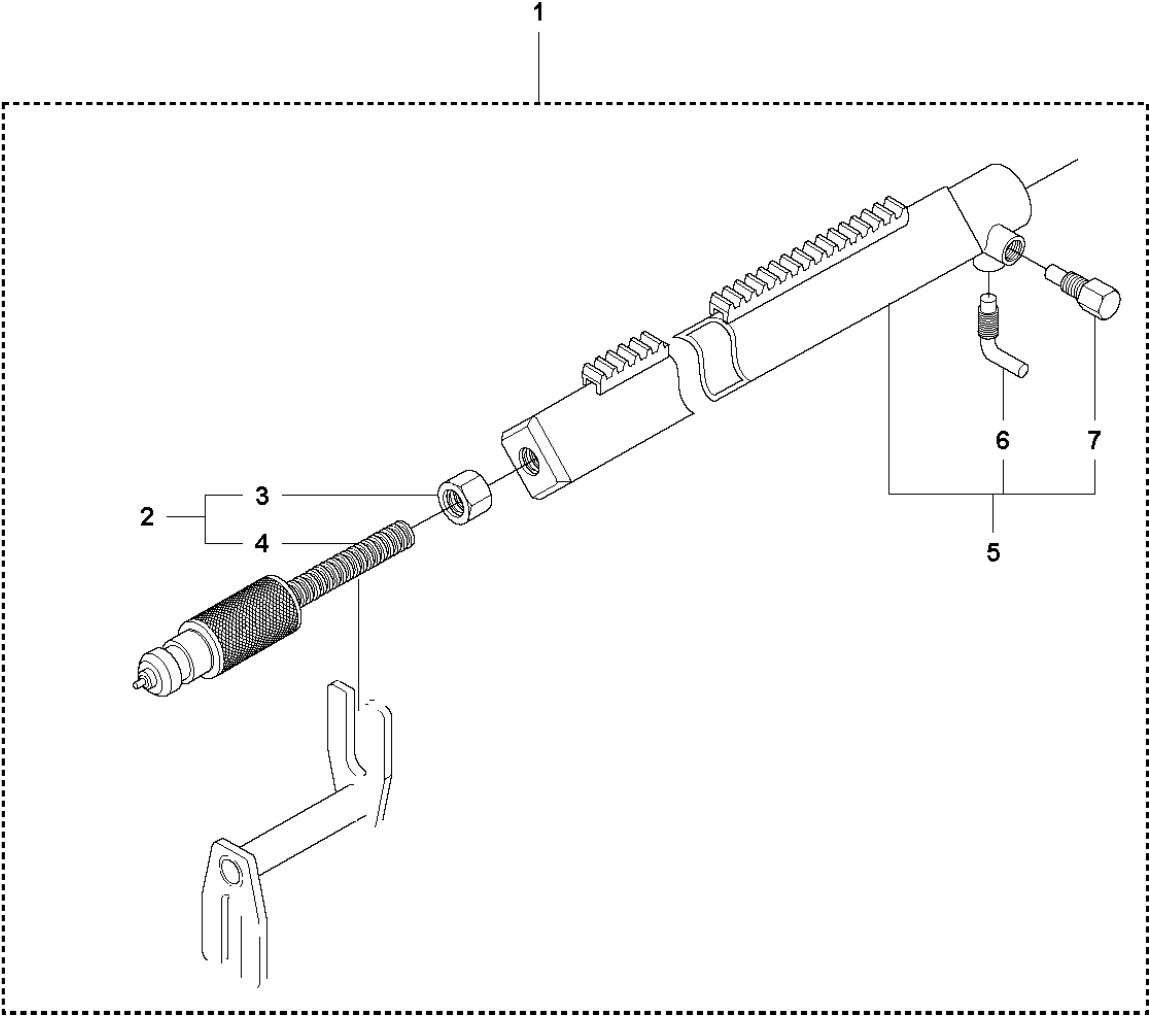


BASE PLATE

DS50 Gyro, 2007-02

Ref	Part No	Description	Remark	QTY KIT
1	506 40 80-09	PLATE	Incl. 2, 9	1
2	506 40 76-08	RETAINER	Incl. 3-7	1
3	531 14 06-22	NUT		1
4	504 02 06-01	SHAFT		1
5	531 14 06-23	PEN		2
6	531 14 06-27	WASHER		6
7	531 14 06-24	WHEEL		2
8	506 40 79-11	PLATE	Incl. 9-14	1
9	531 14 06-18	SCREW		4
10	531 14 06-19	SCREW		1
11	504 02 10-03	DECAL		1
12	544 06 97-01	SCREW		1
13	504 03 04-01	PLATE		1
14	531 14 06-20	PLUG		4

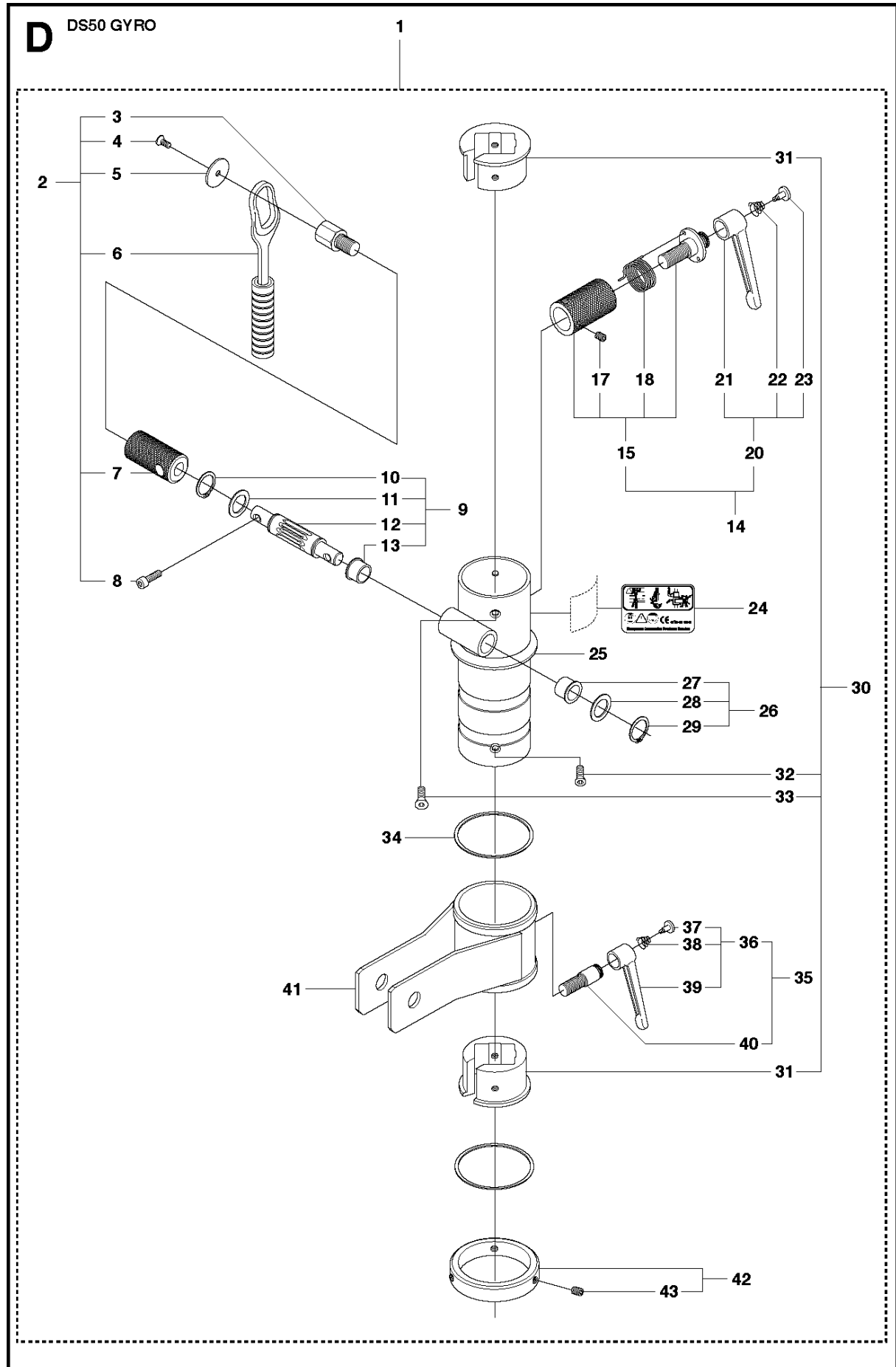
C DS50 GYRO



COLLUMN ASSY

DS50 Gyro, 2007-02

Ref	Part No	Description	Remark	QTY KIT
1	506 40 88-04	DRILL	Incl. 2, 5	1
2	506 40 06-05	SCREW	Incl. 3, 4	1
3	531 14 06-44	NUT		1
4	506 40 06-07	SCREW		1
5	506 40 07-01	COLUMN	Incl. 6, 7	1
6	531 14 06-43	KNOB		1
7	531 14 06-19	SCREW		

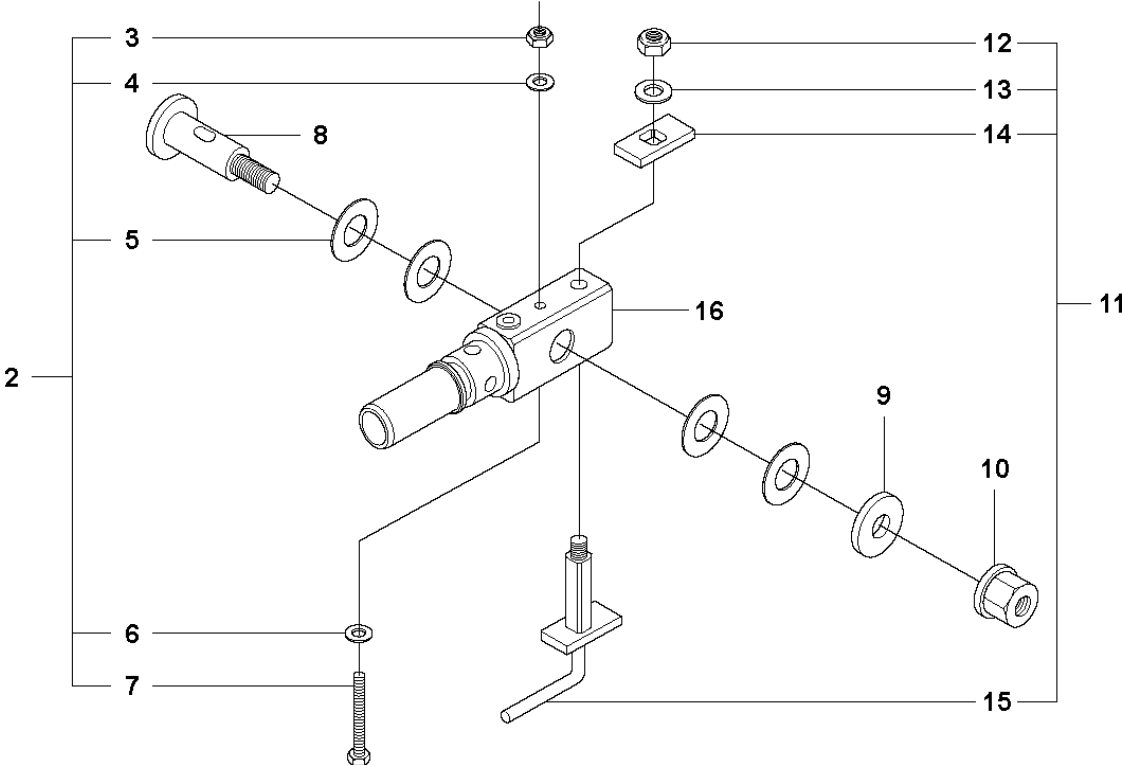


GYRO UNIT 1

DS50 Gyro, 2007-02

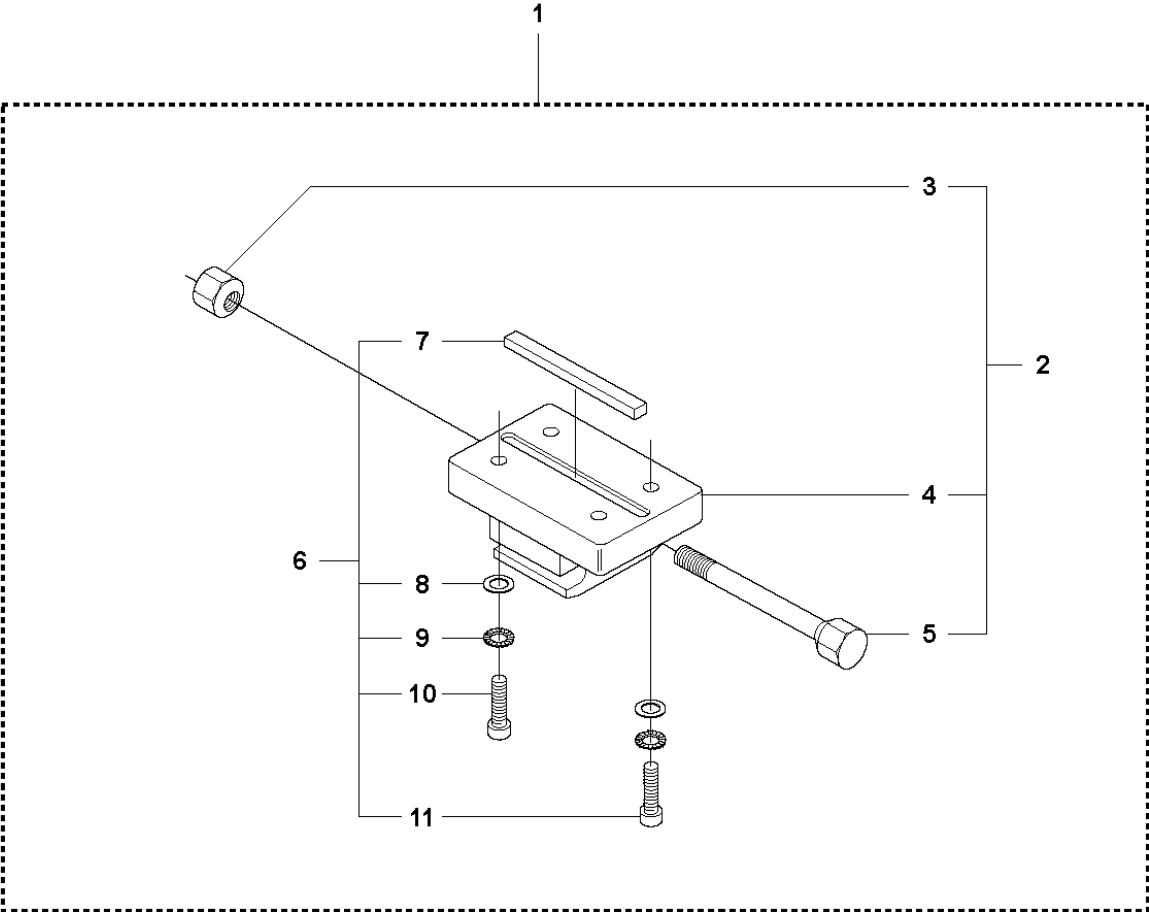
Ref	Part No	Description	Remark	QTY KIT
1	506 40 91-04	BRACKET	Incl. 2, 9, 14, 24-26, 30, 35-36, 42-43	1
2	506 40 77-17	JUSTERVRED	Incl. 3-8	1
3	531 14 06-50	SCREW		1
4	531 14 08-04	SCREW		1
5	531 14 06-49	WASHER		1
6	544 22 27-03	SPANNER		1
7	504 02 12-01	SLEEVE		1
8	531 14 06-59	SCREW		1
9	506 40 17-01	SHAFT	Incl. 10-13	1
10	531 14 07-66	FUSE		2
11	531 14 07-67	WASHER		2
12	531 14 07-71	SHAFT		1
13	531 14 06-77	BEARING		2
14	506 40 77-14	KNOB	Incl. 15, 20	1
15	506 40 78-01	SPRING RETAINER	Incl. 16-19	1
17	531 14 06-57	STOP SCREW		2
18	531 14 06-56	SPRING		1
20	501 38 46-04	HANDLE	Incl. 21-23	1
21	504 01 81-02	HANDLE		1
22	501 38 47-02	SPRING		1
23	501 38 60-02	SCREW		1
24	544 12 85-01	LABEL		1
25	531 14 06-60	SLEEVE		1
26	506 40 19-01	BUSHING	Incl. 27-29	1
27	531 14 06-77	BEARING		2
28	531 14 07-67	WASHER		2
29	531 14 07-66	FUSE		2
30	506 40 89-01	BUSHING	Incl. 31-33	1
31	531 14 06-52	BUSHING		2
32	531 14 06-61	SCREW		4
33	531 14 06-58	SCREW		4
34	531 14 06-62	WASHER		2
35	506 40 77-13	KNOB	Incl. 36, 40	1
36	501 38 46-03	HANDLE	Incl. 37-39	1
37	501 38 60-01	SCREW		1
38	501 38 47-01	SPRING		1
39	504 01 81-01	HANDLE		1
40	544 23 56-02	SCREW		1
41	531 14 06-63	RETAINER		1
42	506 40 18-03	CIRCLIP	Incl. 43	1
43	531 14 06-70	STOP SCREW		3

E DS50 GYRO



Ref	Part No	Description	Remark	QTY KIT
1	506 40 91-04	BRACKET	Incl. PAGE E Pos. 2, 11	1
2	506 40 15-01	SCREW	Incl. 3-7	1
3	531 14 06-30	NUT		1
4	531 14 06-38	WASHER		1
5	531 14 06-32	WASHER		4
6	531 14 06-38	WASHER		1
7	501 38 86-01	SCREW		1
8	531 14 06-29	SHAFT		1
9	531 14 06-36	WASHER		1
10	531 14 06-37	NUT		1
11	506 40 16-01	LOCK ARM	Incl. 12-15	1
12	531 14 06-00	NUT		1
13	531 14 07-22	WASHER		1
14	531 14 06-34	WASHER		1
15	531 14 06-40	KNOB		1
16	544 34 97-01	RETAINER		1

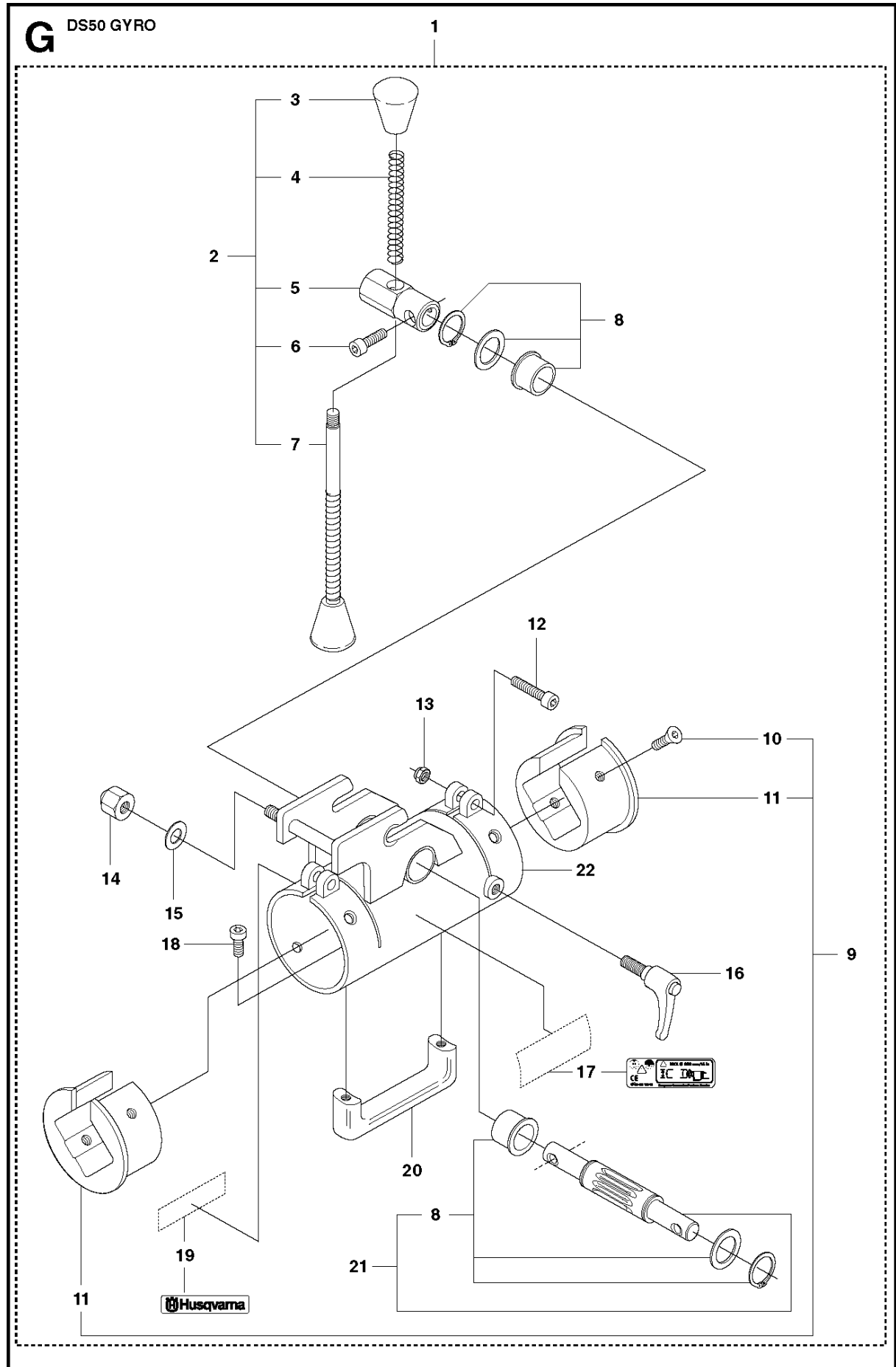
F DS50 GYRO



FRAME

DS50 Gyro, 2007-02

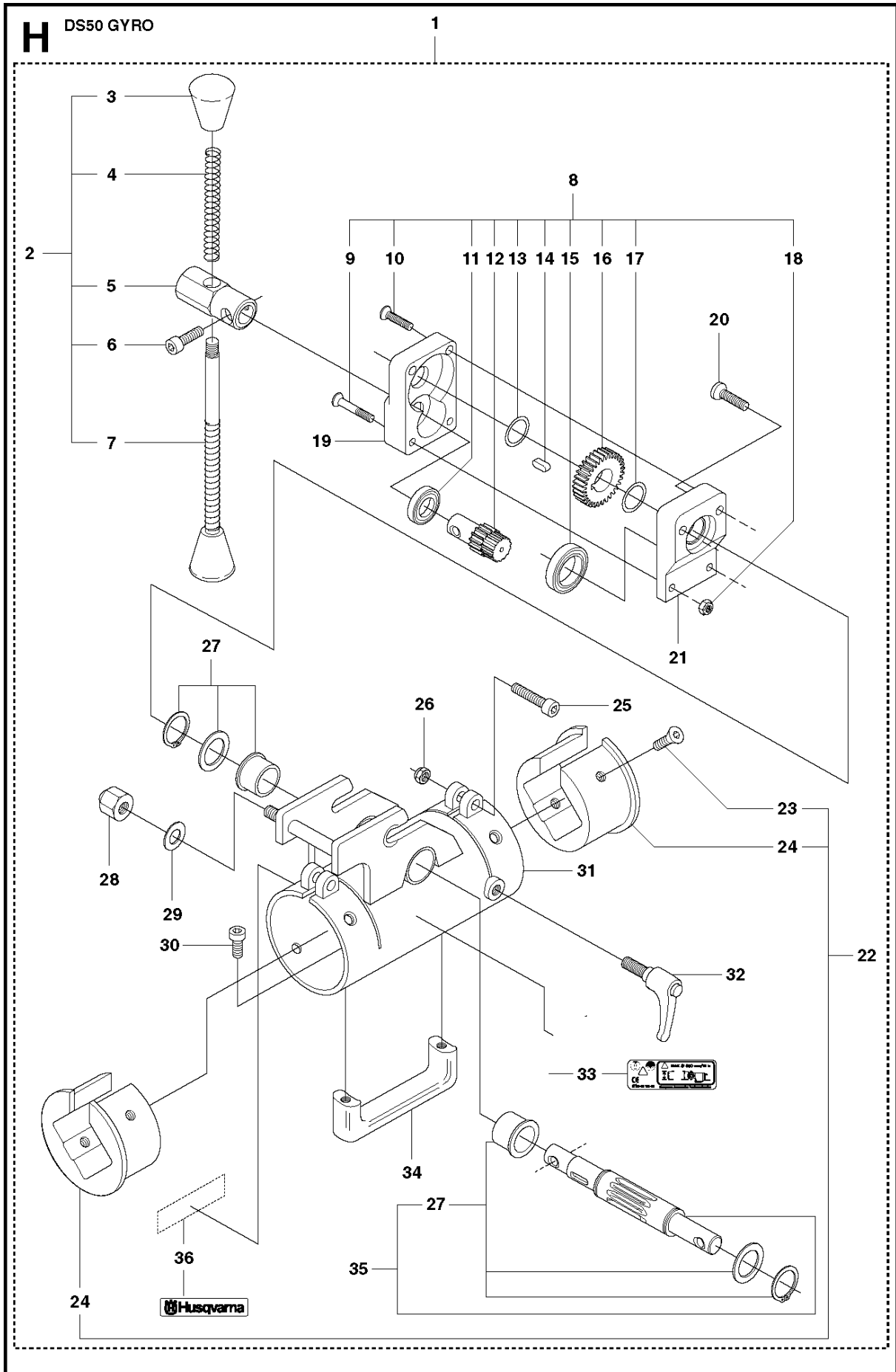
Ref	Part No	Description	Remark	QTY KIT
1	506 40 08-03	BRACKET	Incl. 2, 6	1
2	506 40 08-04	BRACKET	Incl. 3-5	1
3	531 14 06-83	NUT		1
4	531 14 07-10	BRACKET		1
5	531 14 07-11	BOLT		1
6	506 40 08-02	BRACKET	Incl. 7-11	1
7	531 14 06-74	WEDGE		1
8	531 14 07-12	WASHER		4
9	531 14 07-13	WASHER		4
10	531 14 06-81	SCREW		4
11	531 14 07-14	SCREW		4



CARRIAGE

DS50 Gyro, 2007-02

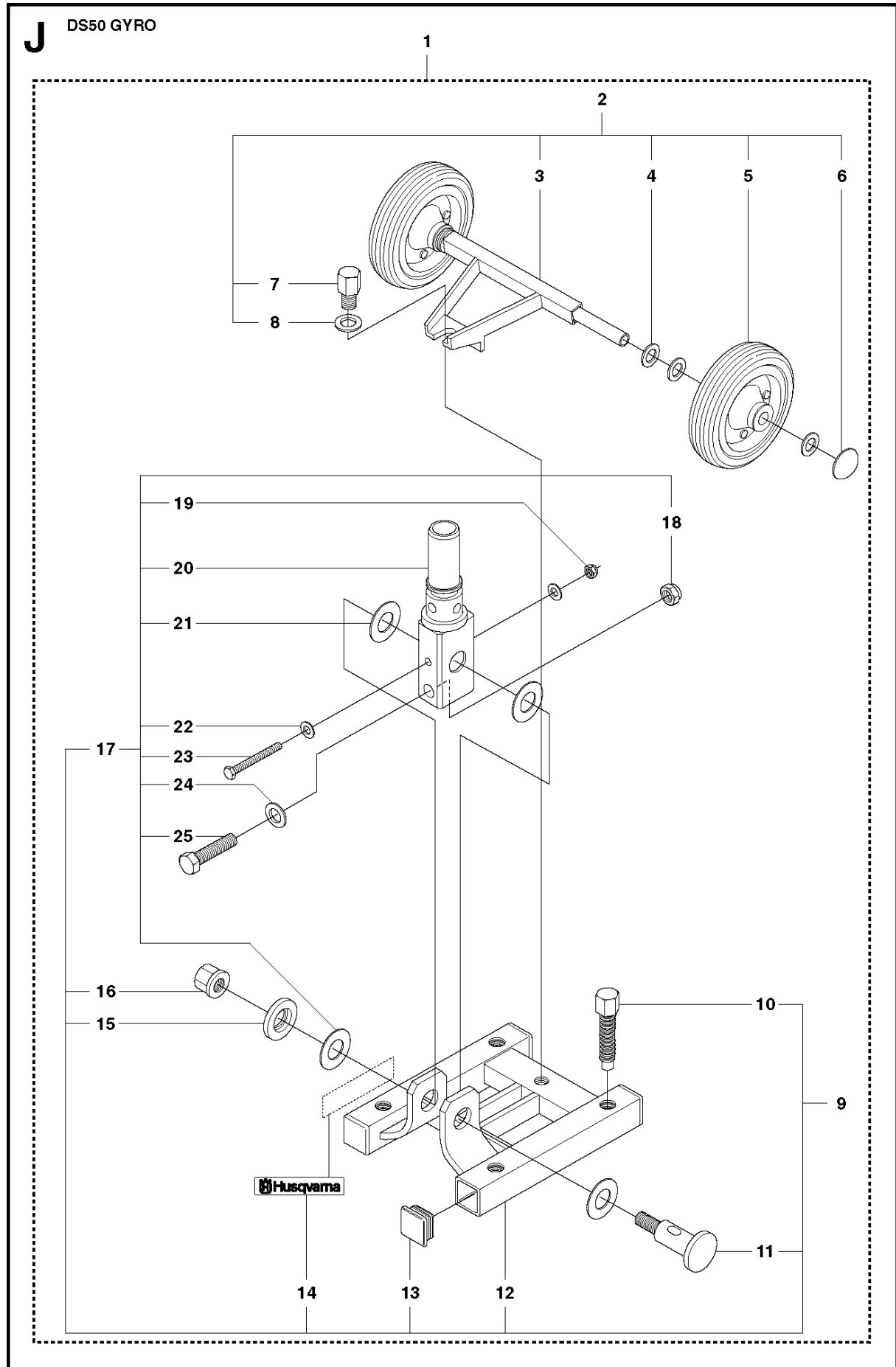
Ref	Part No	Description	Remark	QTY KIT
1	506 40 90-07	HOPPER	Incl. 2, 8, 9, 12-22	1
2	506 40 20-01	HANDLE	Incl. 3-7	1
3	531 14 06-72	GRIP		2
4	531 14 06-73	SPRING		2
5	531 14 06-84	SLEEVE		1
6	531 14 06-59	SCREW		1
7	531 14 06-82	HANDLE		1
8	506 40 19-01	BUSHING		1
9	506 40 89-02	BUSHING	Incl. 10, 11	1
10	531 14 06-58	SCREW		8
11	531 14 08-82	BUSHING		2
12	531 14 06-86	SCREW		2
13	531 14 06-30	NUT		2
14	531 14 06-83	NUT		1
15	531 14 06-11	SPACER		1
16	506 40 77-08	HANDLE		1
17	544 12 85-02	LABEL		1
18	531 14 06-85	SCREW		2
19	504 02 10-01	DECAL		1
20	544 21 89-01	HANDLE ASSY		1
21	506 40 17-02	SHAFT	Incl.8	1
22	504 02 22-01	SHREDDER CASE		1



CARRIAGE

DS50 Gyro, 2007-02

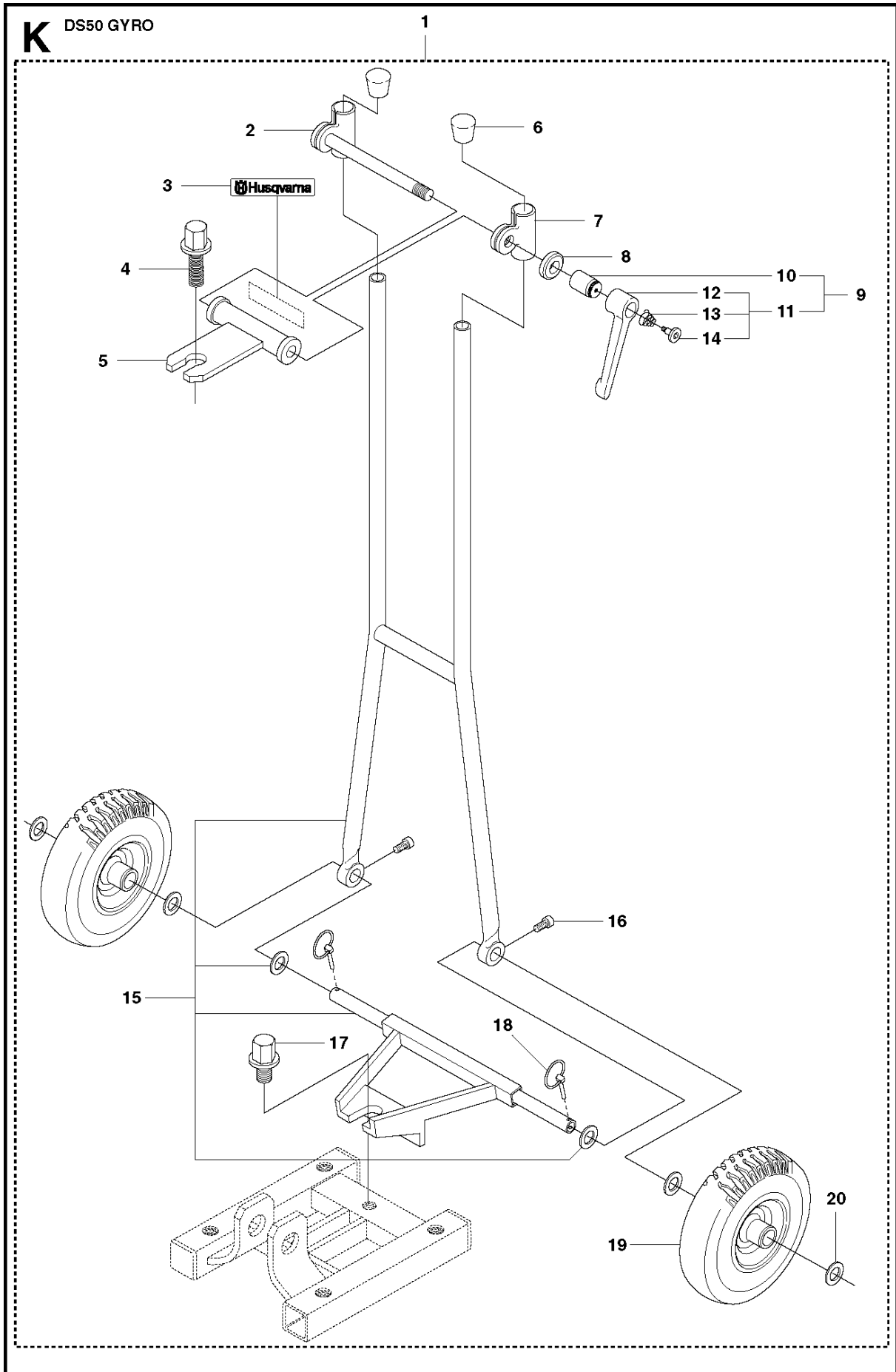
Ref	Part No	Description	Remark	QTY KIT
1	506 40 90-08	HOPPER	Incl. 2, 8, 19-22, 25-36	1
2	506 40 20-01	HANDLE	Incl. 3-7	1
3	531 14 06-72	GRIP		2
4	531 14 06-73	SPRING		2
5	531 14 06-84	SLEEVE		1
6	531 14 06-59	SCREW		1
7	531 14 06-82	HANDLE		1
8	506 40 21-01	GEAR	Incl. 9-18	1
9	531 14 06-93	SCREW		2
10	531 14 06-92	SCREW		2
11	531 14 06-97	BALL BEARING		1
12	531 14 06-98	SHAFT		1
13	531 14 06-94	WASHER		2
14	531 14 07-06	WEDGE		1
15	531 14 06-99	BALL BEARING		1
16	531 14 06-96	GEAR WHEEL		1
17	531 14 06-94	WASHER		2
18	531 14 08-46	NUT		2
19	531 14 07-26	GEAR HOUSING		1
20	501 38 89-01	SCREW		2
21	531 14 07-00	GEAR HOUSING		1
22	506 40 89-02	BUSHING	Incl. 23, 24	1
23	531 14 06-58	SCREW		8
24	531 14 08-82	BUSHING		2
25	531 14 06-86	SCREW		2
26	531 14 06-30	NUT		2
27	506 40 19-02	BUSHING		1
28	531 14 06-83	NUT		1
29	531 14 06-11	SPACER		1
30	531 14 06-85	SCREW		2
31	504 02 22-02	CASE		1
32	506 40 77-08	HANDLE		1
33	544 12 85-02	LABEL		1
34	544 21 89-01	HANDLE ASSY		1
35	506 40 17-03	SHAFT	Incl. 27	1
36	504 02 10-01	DECAL		1



BASE PLATE

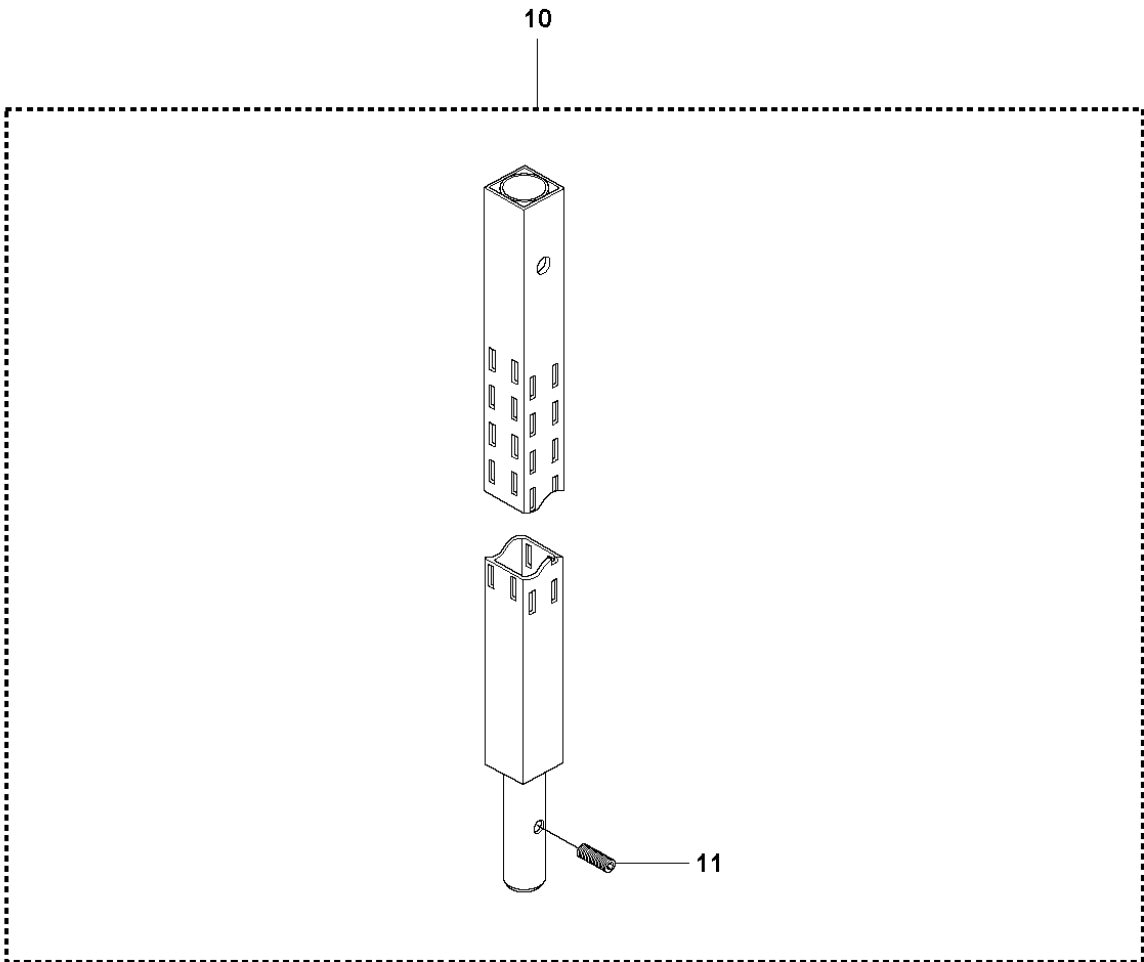
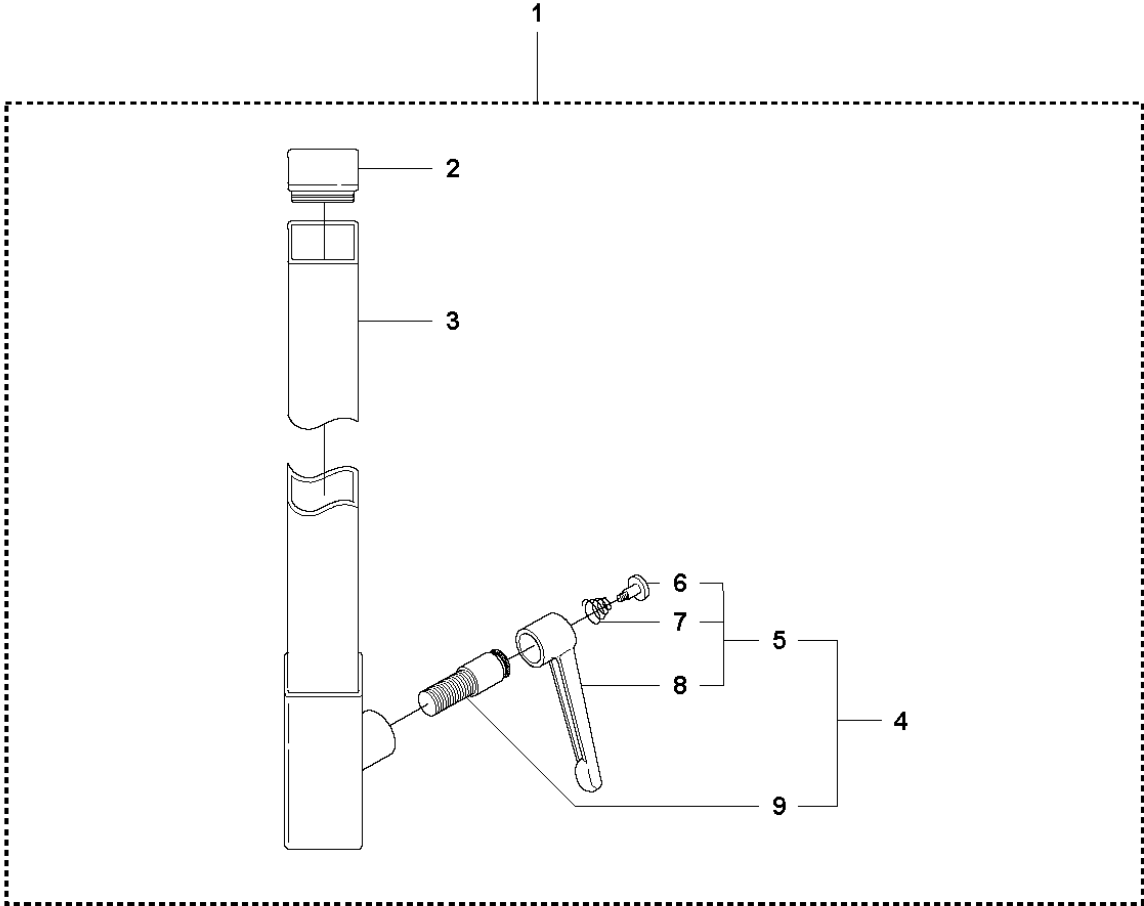
DS50 Gyro, 2007-02

Ref	Part No	Description	Remark	QTY KIT
1	506 40 80-10	PLATE	Incl. 2, 9	1
2	506 40 76-09	RETAINER	Incl. 3-8	1
3	504 02 06-02	SHAFT		1
4	531 14 06-27	WASHER		6
5	531 14 07-28	WHEEL		2
6	531 14 07-30	PLATE		2
7	531 14 07-23	SCREW		1
8	531 14 07-22	WASHER		1
9	506 40 79-12	PLATE	Incl. 10-17	1
10	531 14 06-18	SCREW		4
11	531 14 07-33	SHAFT		1
12	504 03 04-02	PLATE		1
13	531 14 06-20	PLUG		4
14	504 02 10-02	DECAL		1
15	531 14 06-36	WASHER		1
16	501 38 90-01	NUT		1
17	506 40 22-01	RETAINER	Incl. 18-25	1
18	531 14 07-57	NUT		1
19	531 14 06-30	NUT		1
20	531 14 07-16	RETAINER		1
21	531 14 06-32	WASHER		4
22	531 14 06-38	WASHER		2
23	531 14 06-39	SCREW		1
24	531 14 07-22	WASHER		1
25	531 14 07-21	SCREW		1



Ref	Part No	Description	Remark	QTY KIT
1	506 40 76-10	SUPPORT ASSY	Incl. 2-9, 15-20	1
2	531 14 07-37	SLEEVE		1
3	504 02 10-01	DECAL		1
4	531 14 07-35	SCREW		1
5	504 02 09-01	FORK		1
6	531 14 07-38	PLUG		2
7	531 14 07-39	SLEEVE		1
8	531 14 06-76	WASHER		1
9	506 40 77-15	JUSTERVRED	Incl. 10, 11	1
10	531 14 06-75	SLEEVE		1
11	501 38 46-04	HANDLE	Incl. 12-14	1
12	504 01 81-02	HANDLE		1
13	501 38 47-02	SPRING		1
14	501 38 60-02	SCREW		1
15	506 40 76-12	RETAINER		1
16	531 14 06-79	SCREW		2
17	531 14 07-43	SCREW		1
18	531 14 06-23	PEN		2
19	531 14 06-24	WHEEL		2
20	531 14 06-27	WASHER		6

L DS50 GYRO

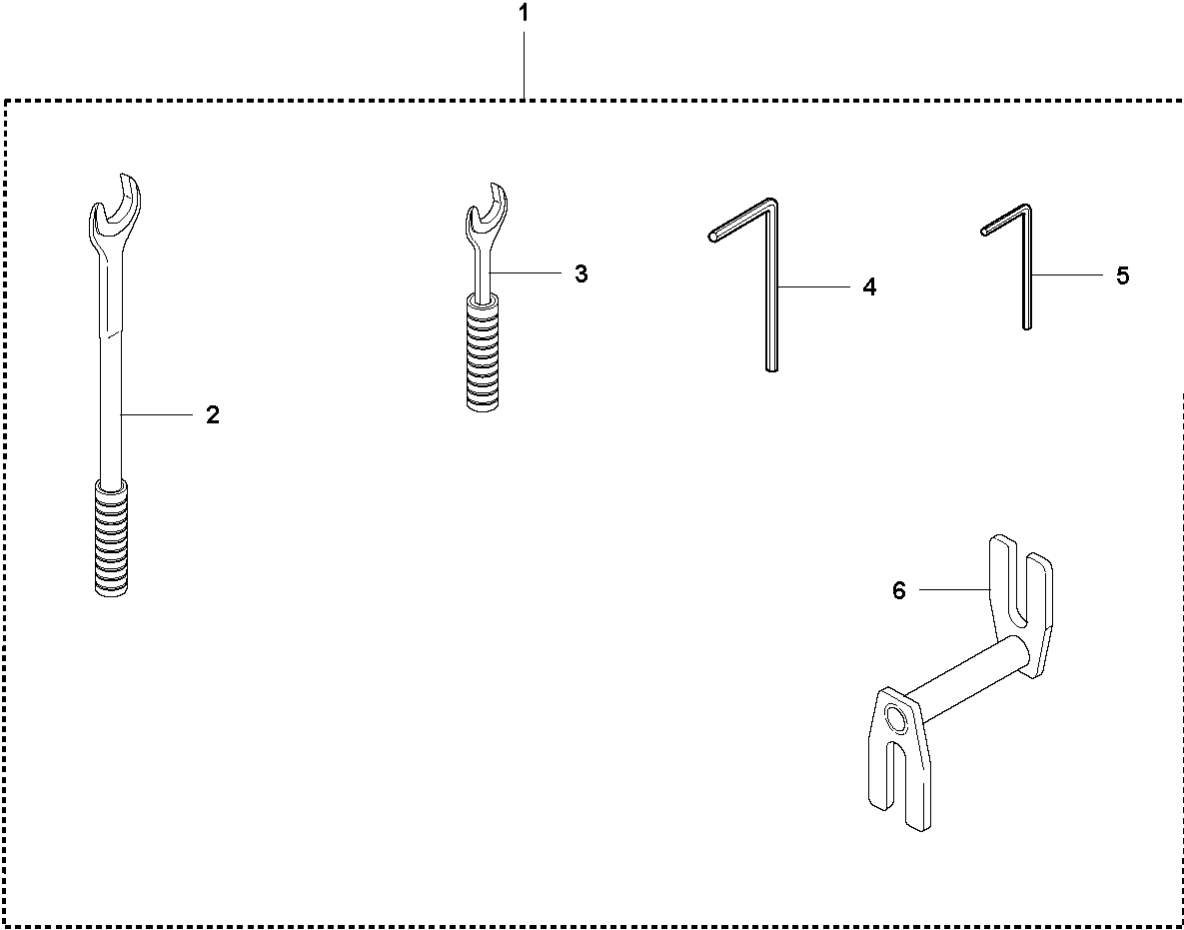


EXPANDABLE POLE

DS50 Gyro, 2007-02

Ref	Part No	Description	Remark	QTY KIT
1	506 40 85-05	PIPE	Incl. 2, 3, 4	1
2	531 14 06-64	PLUG		1
3	531 14 07-48	PIPE		1
4	506 40 77-16	HANDLE	Incl. 5, 9	1
5	501 38 46-04	HANDLE	Incl. 6-8	1
6	501 38 60-02	SCREW		1
7	501 38 47-02	SPRING		1
8	504 01 81-02	HANDLE		1
9	544 23 56-01	SCREW		1
10	506 40 05-03	PIPE	Incl. 11	1
11	531 14 06-07	STOP SCREW		1

M DS50 GYRO TOOLKIT



TOOLS

DS50 Gyro, 2007-02

Ref	Part No	Description	Remark	QTY KIT
1	506 40 86-01	TOOL KIT	Incl. 2-6	1
2	544 22 27-01	SPANNER		1
3	544 22 27-02	SPANNER		1
4	531 14 07-62	HEX KEY		1
5	544 27 98-01	HEX KEY		1
6	531 14 06-46	BRACKET		1